



MARNIC WATER WATCH

THE INTELLIGENT FLUSH CONTROL WATER CONSERVATION SYSTEM

Every urinal cistern can waste an incredible amount of water. Water you pay for that is, in every literal sense, money down the drain.

An intelligent solution to end this waste has been developed by Marnic Technology. A sophisticated automatic control system installed in minutes to give years of trouble free service, the Marnic Water Watch will significantly reduce your water consumption and bills whilst maintaining the necessary high level of hygiene at all times.

HOW IT WORKS

Urinal cisterns flush each time the cistern fills, often more than three times an hour, even when your building is unoccupied at night or closed for holidays. Most of this expensive water goes to waste.

The Marnic Water Watch system detects when the facility has been used, allows the cistern to fill which then flushes the urinal in the normal way.

An additional feature ensures that during long periods of inactivity, weekends and holidays, the urinal is flushed at least once every 12 or 24 hours as selected. In this way the hygiene flush keeps the urinals clean and fresh even when the building is unattended.



WATER AUDIT FEATURE

Water cost reductions of 90% have been demonstrated to many of our customers using a water audit feature which enables the volume of water used to be monitored after installation and compared with the pre-installed usage.



FEATURES

- ◆ Low cost. In only a few months you will have recovered the cost of the system and then continue to enjoy significant savings on your bill year after year.
- ◆ Battery or mains power operation.
- ◆ Long battery life. Ultra low power consumption means complete safety and batteries that last for years.
- ◆ Small and unobtrusive, our vandal resistant design is unlikely to attract any unwanted attention.
- ◆ WRC approved valve.
- ◆ Microprocessor based design and quartz crystal clock control provide reliability and a full water audit facility to monitor system performance.
- ◆ A simple reliable solenoid water valve, is UK WRC approved.
- ◆ Water Audit facilities available both prior and subsequent to installation to establish water consumption savings.

**90% Water
Savings !**

MARNIC
TECHNOLOGY

TOTAL USER CONTROL

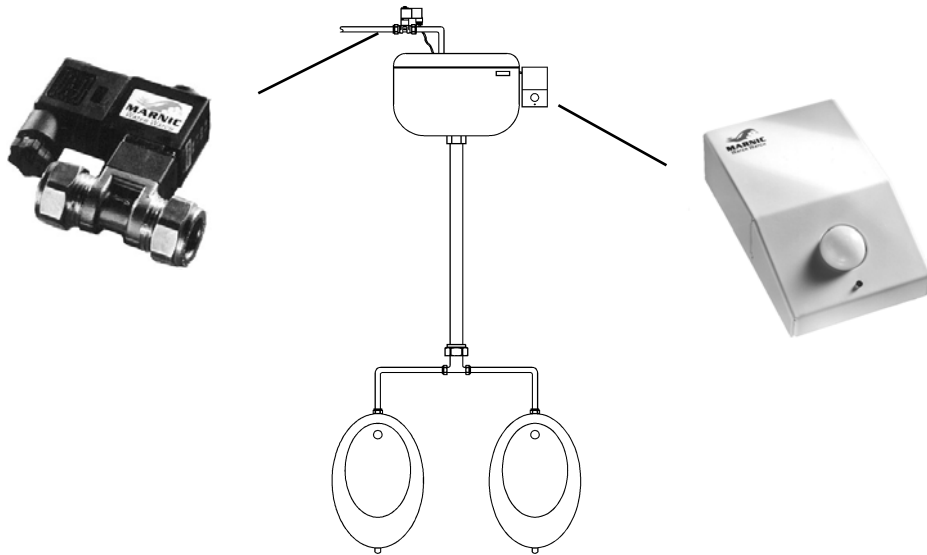
The Water Watch can be programmed prior to installation to provide the optimum flushing profile. The flush rate can be set to a maximum rate between four times an hour and once an hour during periods of toilet occupation. Marnic's trained surveyors will be pleased to assist in the selection of the correct rate and if in the light of operational experience it is felt advisable to change the rate this can be simply and cheaply arranged.

In addition to selecting the normal flush rate a simple switch enables owners to select a 12 or 24 hour hygiene cycle to ensure that the urinal is flushed at least once or twice a day.

MAINS POWER (OPTION)

For new or refurbished facilities our mains power option can be selected. Although installation costs are higher than the battery version, the mains powered Water Watch has the additional feature of a permanent occupancy detection indicator lamp and will recover automatically from a loss of mains power without the need to re-calibrate the valve opening time.

INSTALLATION GUIDE



SPECIFICATION

SENSOR UNIT

Dimensions: 125x80x35 mm.
Construction: Vandal resistant.
Nickel Zinc Steel.
Colour: White enamel finish.

PROGRAMMABLE FLUSH RATES

Maximum rates: 4 Flushes / hour.
3 Flushes / hour.
2 Flushes / hour.
1 Flush / hour.
Hygiene cycle: 12 or 24 hours selectable.
Time Measurement: Quartz crystal clock.

MOVEMENT DETECTOR

Type: PIR (Passive Infra Red).
Range (Max.): 5 metres.
Lens: Multizone Fresnel.
Indicator: Flashing red LED
(walk test).

WATER SUPPLY VALVE

Solenoid valve: 9 V latching
WRC approved
Operating pressure: 0.1 – 10 Bar, fast fill.
Integral water filter: Stainless filter, replace-able.

BATTERY POWER SUPPLY

Battery: 4.5V, 5.4Ahr, Duracell.
Batt. low indicator: Flashing red LED.
Battery life: 4 – 7 years.

MAINS POWER SUPPLY (OPTION)

Voltage: 240V AC, 50Hz.
Power consumption: 1.8 Watts.
Connection: 1A unswitched fuse spur.

WATER AUDIT

Interface: 300 Bits/s serial data.
Audit Data: Total flushes, hygiene flushes, fill time, op hours,

MANUFACTURED IN THE UK BY

Marnic Technology Ltd

Unit 4, Station Road, Reddish, Stockport, Cheshire, SK5 6ND

Tel.: 0161 431 3662, Fax.: 0870 838 1038

Email : sales@marnictechnology.co.uk, www.waterwatch.co.uk